


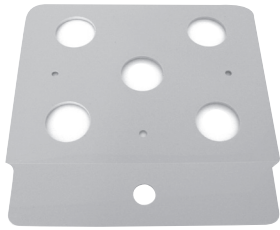




AEROFARM



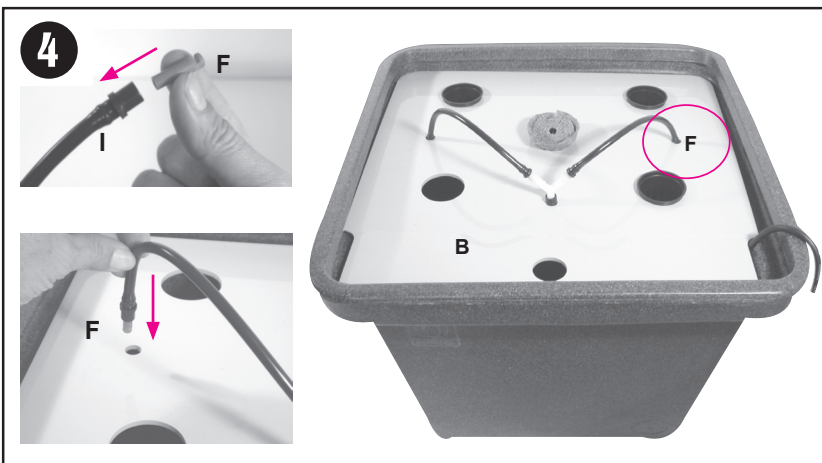
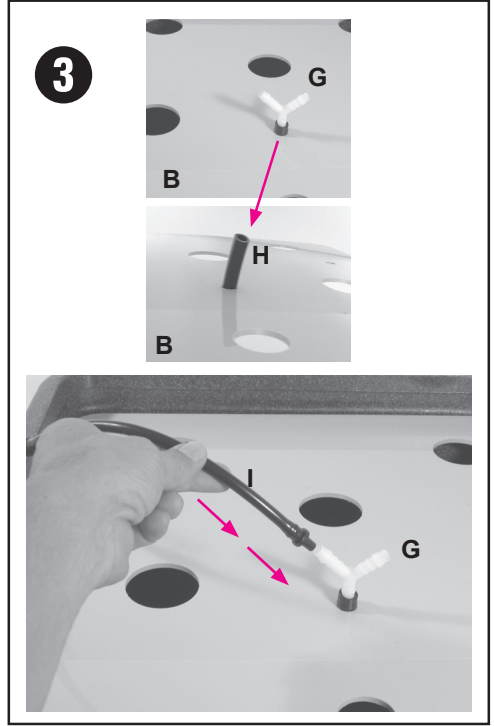
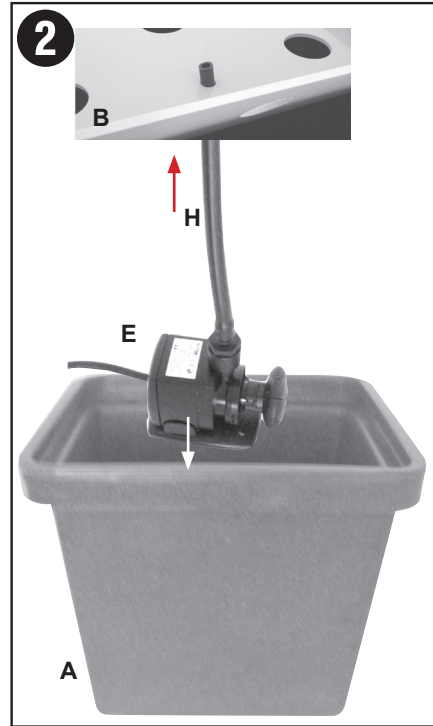
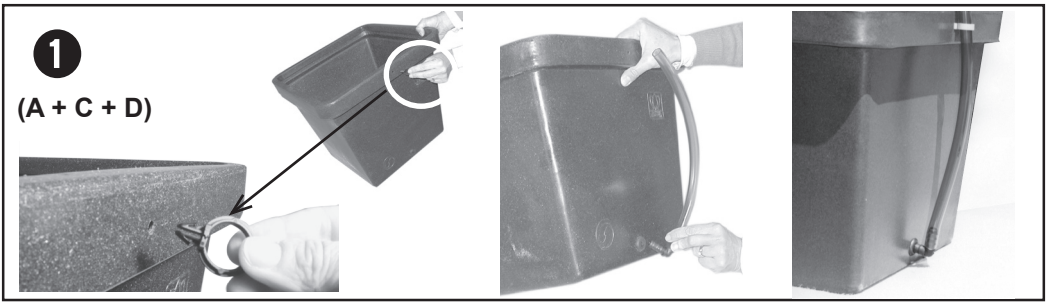
Ø 2" - Ø 3"


46 cm x 46 cm x 43 cm
+/- 45 L

 <p>A</p>	 <p>B</p>	 <p>Ø 2"</p>	 <p>Ø 3"</p>
<p>RE02001</p>	<p>2" = CV01001 3" = CV01002</p>	<p>PO01001</p>	<p>PO01002</p>

 <p>C</p>	 <p>D</p>	<p>GUARANTEED ONE YEAR</p>  <p>E</p>	 <p>F</p>	 <p>G</p>	 <p>H</p>	 <p>I</p>
<p>TN01001</p>	<p>FX11001</p>	<p>PM11017</p>	<p>RA41006</p>	<p>RA31006</p>	<p>AL11001</p>	<p>EI21001</p>

BRINGING NATURE AND TECHNOLOGY TOGETHER




**YOUR PUMP IS
GUARANTEED
ONE YEAR
FROM DATE
OF PURCHASE.**
It must not be
opened or modified.
**KEEP YOUR
INVOICE**